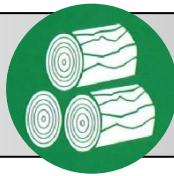
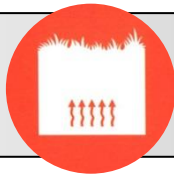


PELETT MILL

GENERAL DIES



animal feed



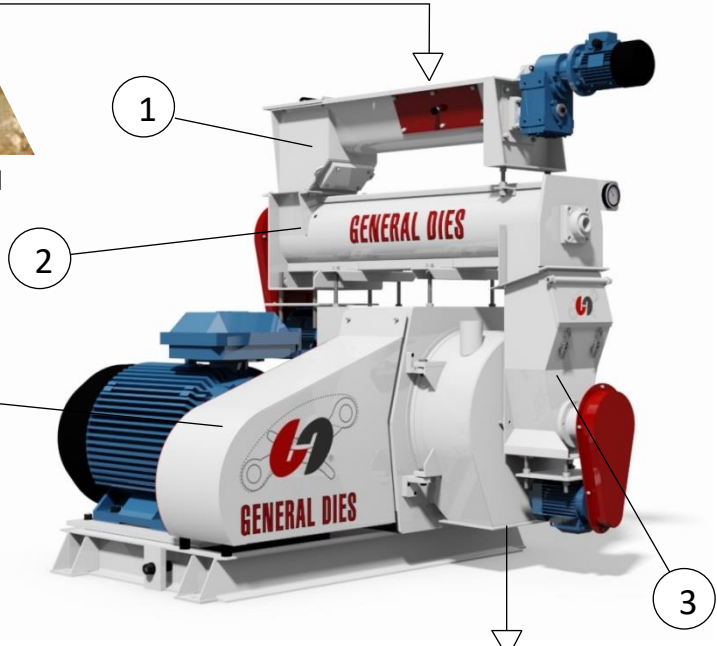
straw



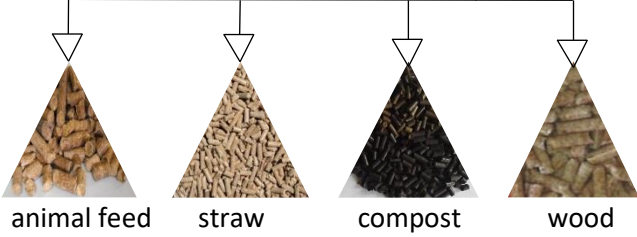
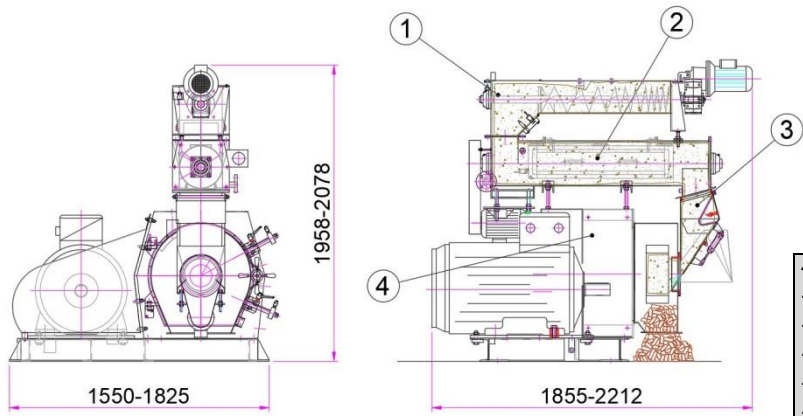
compost



wood



CHI		
TECNICAL DATA	33	36
Installed power	37 – 45 kw	55 – 75 kw
Die diameter	330 mm	360 mm
Working band	50-95 mm	65-135 mm
Estimated weight	2,4 t	3,6 t



animal feed straw compost wood

MAIN COMPONENT AND BUILDING FEATURES

- 1 FEEDING SCREW**
- Stainless steel carpentry
 - Variable pitch spiral screw
 - Gearmotor with adjustable speed variation by means of an inverter
 - Magnetic plate positioned at the end of the feeder

- 2 CONDITIONER**
- Body made of stainless steel; equipped with cleaning doors and inspection; bladed shaft with adjustable vanes too in stainless steel
 - Predisposition for the injection of water and/or steam
 - Thermometer for measuring the product temperature

- 3 FEEDING DUCT**
- Body made of stainless steel with inspection door
 - The duct can be "forced" or "gravity" with by-pass pneumatic chosen on the basis of the type of product to be pelleted

- STANDARD**
- Maintenance tools

- 4 PELLET MILL**
- Sturdy pressure group
 - Wide access to the die
 - Oversized bearings for a long life
 - Winch for simple and safe replacement of die and rollers
 - Automatic lubrication even during operation
 - Stainless steel die
 - "Securlock" for a safe installation of the die
 - 2 pressure rollers equipped with a system for regulating adhesion of the rollers to the type of die
 - Adjustable material deviator, made of stainless steel for one uniform distribution of the product on the die
 - Adjustable pellet-shear knives even with the machine running
 - Shockproof safety device to prevent damage caused by foreign bodies or incorrect maneuvers

- OPTIONAL**
- Electric power and control panel with automation
 - On request, the machine is supplied with construction specifications compliant with ATEX Ex II 3D regulations
 - Possible changes on customers request
 - Water , steam and fat dosing line
 - "Fat-spray" oil injection system



GENERAL DIES S.r.l. – Via Strà, 182 – 3703 Colognola ai Colli – (Verona) ITALY
Tel. 045-7650600 www.generaldies.com info@generaldies.com

